

# LOW BODY Fan Coil Unit

2 & 4 pipe system

A complete range from 0.7 kW up to 2.6 kW



**FX03 Terminal unit controller**  
BacNET and N2 Metasys network compatible

## Thermostats



**CSL00 (Built in)**  
**CSR00 (Wall mounted)**  
Fan speed selector



**CEL00 (Built in)**  
**CER00 (Wall mounted)**  
Thermostat with manual fan speed and automatic change over



**CML00 (Built in)**  
**CMR00 (Wall mounted)**  
Thermostat with manual fan speed and S/W change over

**CEL20 (Built in)**  
**CER20 (Wall mounted)**  
Thermostat with auto. fan speed and automatic change over

**CEL30 (Built in)**  
**CER30 (Wall mounted)**  
Thermostat with auto. fan speed and automatic change over for modulating valve

## Features

- 6 speed fan
- Cabinet factory fitted
- Valve factory fitted
- Electrical heater factory fitted
- Thermal or modulating valve
- Service valve

## Technical features

		YLVR - YLIVR				
Model		110	112	114	216	218
Cooling capacity (1) 2 rows	W	759	1 070	1 583	2 116	2 630
Cooling capacity (1) 3 rows	W	942	1 460	2 115	2 719	3 372
Heating capacity (2) 1 row	W	1 159	1 839	2 432	3 270	3 656
Pressure drop (3)	kPa	6.1	1.4	5.4	9.1	24.2
Power supply	V/Ph/Hz	230 / 1 / 50 + E				
Sound power level (3)	dB(A)	49	50	53	53	55
Sound pressure level at 3 m	dB(A)	31	32	35	35	37
Water connections	inch	1/2 "				

Dimensions indicated next page

(1) Cooling capacities based on 7°C EWT Δt 5°C indoor temperature 27°C DB / 19°C WB (2 pipes - high speed fan)

(2) Heating capacities based on 70°C EWT Δt 10°C indoor temperature 20°C (2 pipes - high speed fan)

(3) In cooling mode 2 rows

For other conditions contact Johnson Controls

# LOW BODY Fan Coil Unit

0.7 to 2.6 kW



## Compatibility table / Codes

Model		110	112	114	216	218
<b>With Cabinet</b>						
YLVR	2 rows	•	•	•	•	•
	3 rows	•	•	•	•	•
<b>Without Cabinet</b>						
YLVR	2 rows	•	•	•	•	•
	3 rows	•	•	•	•	•
<b>Options (Factory fitted)</b>						
<b>Coil and heaters</b>						
1 row heating	BA1	•	•	•	•	•
Kit electrical heater (with relay and safety switch)	KREL	•	•	•	•	•
<b>Built in thermostat</b>						
Fan speed selector	CSL00			•		
Thermostat with manual fan speed and S/W change over	CML00			•		
Thermostat with manual fan speed, dead band, automatic change over	CEL00			•		
Thermostat with automatic fan speed, dead band, automatic change over	CEL20			•		
Thermostat with automatic fan speed, dead band, automatic change over for modulating valve	CEL30			•		
<b>Parallel connection</b>						
For ON/OFF valve one/FCU	CBL20			•		
For modulating valve one/FCU	CBL30			•		
<b>3 way valve factory fitted</b>						
For 2 pipe systems ON/OFF	J3A2 (2p)			•		
For 4 pipe systems ON/OFF	J3A2 (4p)			•		
<b>3 way modulating valve factory fitted</b>						
For 2 pipe systems Modulating	J3AM (2p)			•		
For 4 pipe systems Modulating	J3AM (4p)			•		
<b>Shut off valves factory fitted</b>						
For 2 pipe systems	DT (2p)			•		
For 4 pipe systems	DT (4p)			•		
Condensate pump	PC			•		
WS sensor change over for CEL/CER	WS			•		
Minimum temperature thermostat	TM			•		
<b>Accessories (Supplied loose)</b>						
<b>Remote controllers and thermostat (wall mounted)</b>						
Fan speed selector	CSR00			•		
Thermostat with manual fan speed and S/W change over	CMR00			•		
Thermostat with manual fan speed, dead band, automatic change over	CER00			•		
Thermostat with automatic fan speed, dead band, automatic change over	CER20			•		
Thermostat with automatic fan speed, dead band, automatic change over for modulating valve	CER30			•		

(1) for check compatibility with the models of FCU see compatibility table

# Dimensions

## YLVR

- ▶ R= low body
- ▶ V= vertical

## YLIVR

- ▶ R= low body
- ▶ V= vertical
- ▶ I= without cabinet

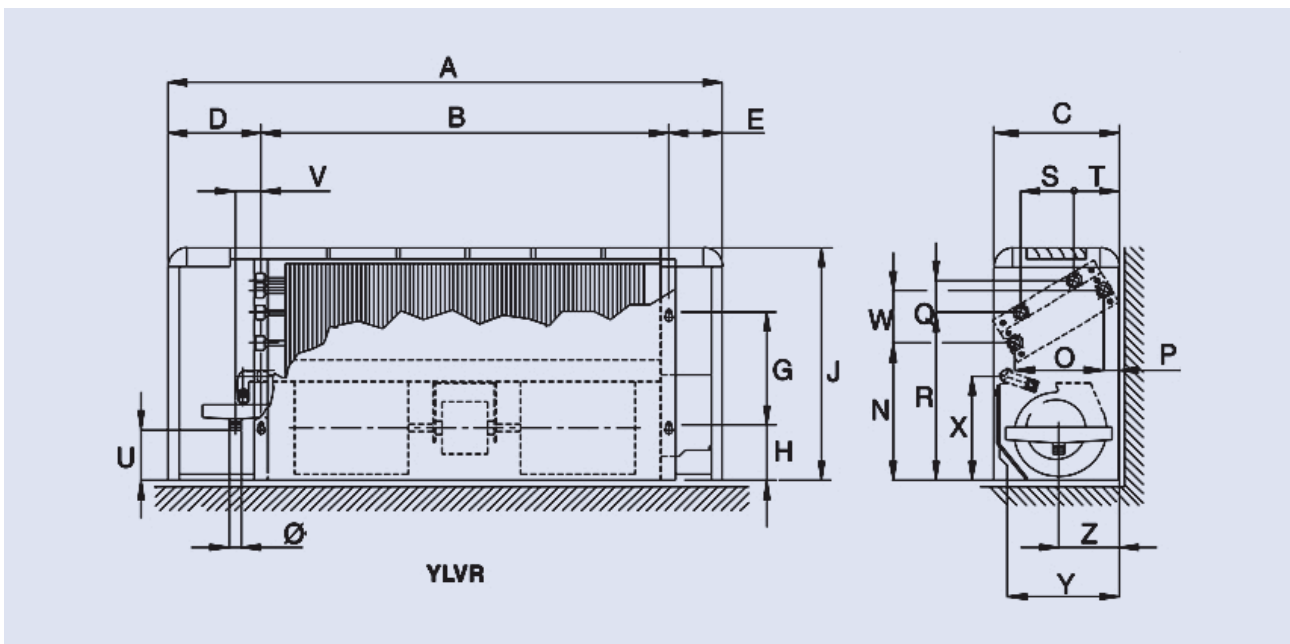
## LOW BODY: YLVR



## Dimensions and Weights

Dim	110	112	114	216	218
A	648	773	898	1023	1148
B	374	499	624	749	874
C	254	254	254	254	254
D	174	174	174	174	174
E	100	100	100	100	100
G	170	170	170	170	170
H	101	101	101	101	101
J	430	430	430	430	430
N	245	245	245	245	245
O	154	154	154	154	154
P	31	31	31	31	31
Q	47	47	47	47	47
R	304	304	304	304	304
S	88	88	88	88	88
T	87	87	87	87	87
U	65	65	65	65	65
V	47	47	47	47	47
W	84	84	84	84	84
X	214	214	214	214	214
Z	109	109	109	109	109
∅	20	20	20	20	20
kg	15	17	22	23	26

(All dimensions in mm)



# Dimensions

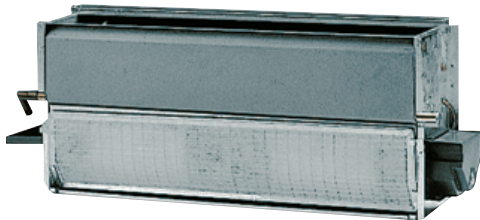
## YLVR

- ▶ R= low body
- ▶ V= vertical

## YLIVR

- ▶ R= low body
- ▶ V= vertical
- ▶ I= without cabinet

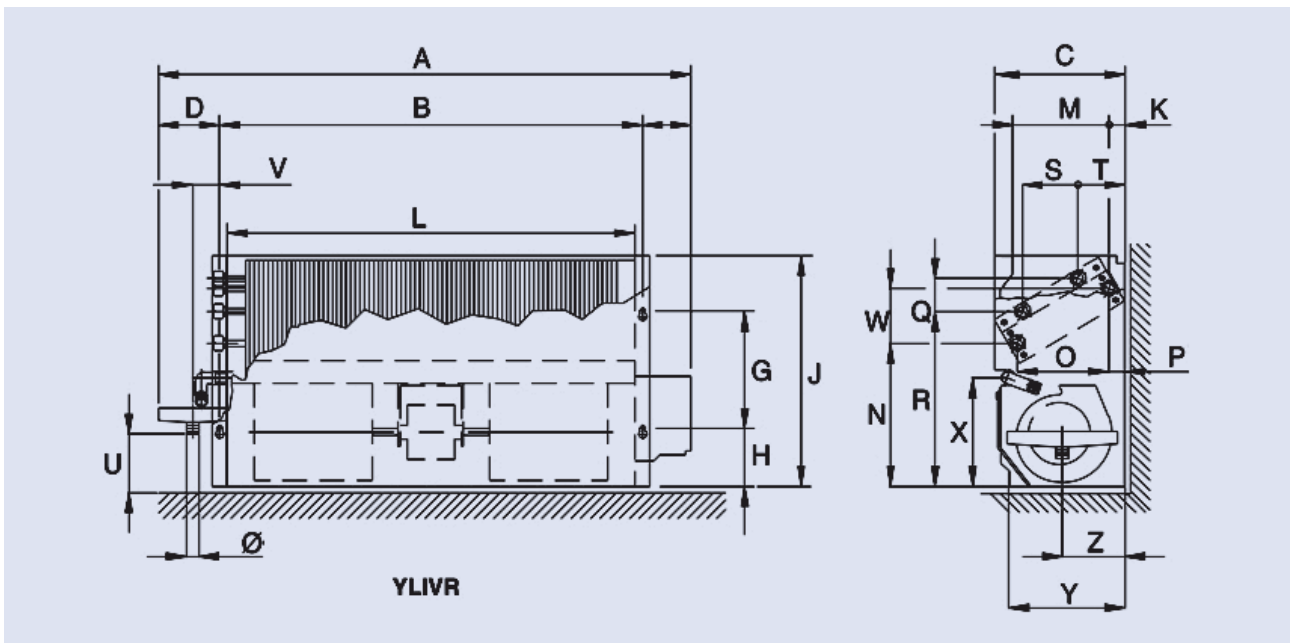
## LOW BODY: YLIVR



## Dimensions and Weights

Dim	110	112	114	216	218
A	555	680	805	930	1055
B	374	499	624	749	874
C	230	230	230	230	230
D	108	108	108	108	108
E	73	73	73	73	73
G	170	170	170	170	170
H	101	101	101	101	101
J	395	395	395	395	395
K	61	61	61	61	61
L	349	474	599	724	849
M	127	127	127	127	127
N	245	245	245	245	245
O	154	154	154	154	154
P	31	31	31	31	31
Q	47	47	47	47	47
R	304	304	304	304	304
S	88	88	88	88	88
T	87	87	87	87	87
U	65	65	65	65	65
V	47	47	47	47	47
W	84	84	84	84	84
X	214	214	214	214	214
Y	201	201	201	201	201
Z	109	109	109	109	109
∅	20	20	20	20	20
kg	9	11	14	16	19

(All dimensions in mm)



# LASER and LOW BODY Compatibility tables



## Thermostats



**CSL00 (Built in)  
CSR00 (Wall mounted)**  
Fan speed selector

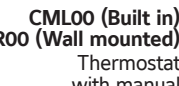


**CEL00 (Built in)  
CER00 (Wall mounted)**  
Thermostat with manual fan speed and automatic change over



**CML00 (Built in)  
CMR00 (Wall mounted)**  
Thermostat with manual fan speed and S/W change over

**CEL20 (Built in)  
CER20 (Wall mounted)**  
Thermostat with auto. fan speed and automatic change over



**CML00 (Built in)  
CMR00 (Wall mounted)**  
Thermostat with manual fan speed and S/W change over

**CEL30 (Built in)  
CER30 (Wall mounted)**  
Thermostat with auto. fan speed and automatic change over for modulating valve

## Features CEL/CER

- Dead band for change over 5°C or 2°C (factory set 2°C)
- Manual fan speeds or automatic (models 20 and 30)
- Thermostated fan control or continuous fan running
- Option water sensor WS for change over on coil (for 2 pipes)
- Led indicated status summer, winter or dead band
- Temperature setting for 7 to 30°C (comfort 20–25°C)
- Plastic pins for limiting temperature range
- Input for window contact
- Input for Economy/ occupancy mode
- Output for remote alarm
- Filter alarm 600 or 1200 running hours (factory set 1200 hours)
- With electrical heater post ventilation
- With Air sensor in the air intake destratification function (CEL only)

## Compatibility table Thermostats / Valves / Heaters / Parallel connection / Water sensor / Minimum temperature thermostat

Factory fitted thermostat (built in)	Valves for 2 pipes		Valves for 4 pipes		Heaters	Parallel connection		Water sensor	Min. Temp. Thermostat
	J3A2 (2p)	J3AM (2p)	J3A2 (4p)	J3AM (4p)		ON/OFF	Modulating		
CSL00 Fan speed selector						•			•
CML00 Thermostat with manual fan speed and S/W change over	•		•			•			•
CEL00 Thermostat with manual fan speed, dead band, automatic change over	•		•		•	•		•	•
CEL20 Thermostat with automatic fan speed, dead band, automatic change over	•		•		•	•		•	•
CEL30 Thermostat with automatic fan speed, dead band, automatic change over for modulating valve		•		•			•	•	•
<b>Remote controllers and thermostats (wall mounted)</b>									
CSR00 Fan speed selector						•			•
CMR00 Thermostat with manual fan speed and S/W change over	•		•			•			•
CER00 Thermostat with manual fan speed, dead band, automatic change over	•		•		•	•		•	•
CER20 Thermostat with automatic fan speed, dead band, automatic change over	•		•		•	•		•	•
CER30 Thermostat with automatic fan speed, dead band, automatic change over for modulating valve		•		•			•	•	•

• Compatible  Not compatible

# LASER and LOW BODY Compatibility tables



## Compatibility Options / Accessories / Models

Code	Designation	STANDARD								LOW BODY	
		LASER				CONCEALED				YLVR	YLIVR
		YLV	YLH	YLV-AF	YLH-AF	YLIV	YLIIH	YLIV-AF	YLIIH-AF		
<b>Coils and heaters**</b>											
BA1**	Additional 1 row heating	•	•	•	•	•	•	•	•	•	•
KREL**	Kit electrical heater with safety thermostat and relay	•	•	•	•	•	•	•	•		
<b>Factory fitted thermostat (built in)</b>											
CSL00	Fan speed selector (built in)	•		•		•		•		•	•
CML00	Thermostat with manual fan speed and S/W change over	•		•		•		•		•	•
CEL00	Thermostat with manual fan speed, dead band, automatic change over	Compatible with electrical heaters								•	•
CEL20	Thermostat with automatic fan speed, dead band, automatic change over	Compatible with electrical heaters								•	•
CEL30	Thermostat with automatic fan speed, dead band, automatic change over for modulating valves	•		•		•		•		•	•
<b>Remote controllers and thermostats (wall mounted)</b>											
CSR00	Fan speed selector (wall mounted)	•	•	•	•	•	•	•	•	•	•
CMR00	Thermostat with manual fan speed and S/W change over	•	•	•	•	•	•	•	•	•	•
CER00	Thermostat with manual fan speed, dead band, automatic change over	Compatible with electrical heaters								•	•
CER20	Thermostat with automatic fan speed, dead band, automatic change over	Compatible with electrical heaters								•	•
CER30	Thermostat with automatic fan speed, dead band, automatic change over for modulating valves	•		•		•		•		•	•
CBL20	Parallel connection for ON/OFF valve	•	•	•	•	•	•	•	•	•	•
CBL30	Parallel connection for modulating valve	•	•	•	•	•	•	•	•	•	•
<b>Valves / Condensate pump / Water sensor / Minimum temperature thermostat (Factory fitted)</b>											
J3A2 (2p)	3-way 4-ports on/off valves for 2-pipe systems	•	•	•	•	•	•	•	•	•	•
J3A2 (4p)	3-way 4-ports on/off valves for 4-pipe systems	•	•	•	•	•	•	•	•	•	•
J3AM (2p)	3-way 4-ports modulating valves for 2-pipe systems	•	•	•	•	•	•	•	•	•	•
J3AM (4p)	3-way 4-ports modulating valves for 4-pipe systems	•	•	•	•	•	•	•	•	•	•
DT (2p)	Shut-off valves for 2-pipe systems (in addition to J3A2/J3AM valves)	•	•	•	•	•	•	•	•	•	•
DT (4p)	Shut-off valves for 4-pipe systems (in addition to J3A2/J3AM valves)	•	•	•	•	•	•	•	•	•	•
PC	Condensate pump	•	•	•	•	•	•	•	•	•	•
WS	Water sensor	Compatible with CEL/CER									
TM	Minimum temperature thermostat	•	•	•	•	•	•	•	•	•	•
<b>Feet and panels</b>											
CP1	Set of painted feet	•				•					
ZL1	Set of feet + frontal socle	•				•					
PPV1	Vertical painted back panel	•		•						•	
PPH1	Horizontal painted back panel		•		•						
<b>External air intake</b>											
PA	Air intake plenum						•				
PAS	Air intake plenum collars						•				
PA90	90° air intake plenum						•				
RCA	Air intake duct fitting						•				
PM	Air delivery plenum with collars					•	•	•	•		•
PM90	90° air delivery plenum					•	•	•	•		•

- Compatible
- Compatible with conditions
- Not compatible

\*\* Maximum of rows is indicated in the documentation, the maximum number of rows includes the heating row or electrical heater.