

Hydro Cassette 2 & 4 pipe system

YHK 20 to 110

A complete range from 1.3 kW to 11.1 kW



FX03 Terminal unit controller
BacNET and N2 Metasys network compatible



Wired controls

BR
Remote three speeds controller

TR
BR + Electronic thermostat and Summer/Winter switch

ATR
Automatic TR



DTR
Digital Automatic Remote controller

TMO 503 SV2
Digital Automatic Remote controller to be mounted in the standard light wall box

DRC - DI
Centralized controller up to 60 terminals



Coloured versions available as a option



Infrared controls



Features

- Cooling duty from 1.3 to 11.1 kW
- 2 & 4 pipes systems in all range
- 2 sizes: 600x600 & 800x800
- Possible to choice between 6 fan speeds
- Condensate pump integrated in all range
- 2/3 way valves fitted or supplied loose in all range
- Coloured versions, possible to change the colour of the grill and the frame
- Possible to select a complete range of controls
- Electric heater fitted as an option for all range (2 pipe only)
- All metal parts insulated to avoid condensation

Hydro Cassette 2 & 4 pipe system

1.3 to 11.1 kW



Technical features 2 pipe system

Model		YHK 20-2	YHK 25-2	YHK 40-2	YHK 50-2	YHK 65-2	YHK 95-2	YHK 110-2	
Cooling capacity	kW	1.3 / 1.6 / 2.0	1.8 / 2.3 / 2.7	2.3 / 3.3 / 4.3	2.9 / 3.9 / 5.0	4.2 / 4.9 / 6.2	5.3 / 6.8 / 9.5	5.3 / 8.5 / 11.1	
Sensible cooling capacity	kW	1.0 / 1.3 / 1.6	1.4 / 1.8 / 2.0	1.6 / 2.4 / 3.2	2.1 / 2.8 / 3.7	3.0 / 3.6 / 4.6	3.5 / 4.5 / 6.5	3.7 / 6.1 / 8.3	
Heating capacity	kW	1.6 / 2.1 / 2.6	2.2 / 2.9 / 3.4	2.6 / 3.9 / 5.2	3.4 / 4.6 / 6.2	5.1 / 6.0 / 7.8	5.6 / 7.3 / 10.7	6.1 / 10.3 / 14.0	
Power supply	V/Ph/Hz	230 / 1 / 50 + E							
Airflow	m ³ /h	310 / 420 / 610	310 / 420 / 520	320 / 500 / 710	430 / 610 / 880	630 / 820 / 1140	710 / 970 / 1500	710 / 1280 / 1820	
Fan	W	25 / 32 / 57	25 / 32 / 44	25 / 44 / 68	32 / 57 / 90	33 / 48 / 77	42 / 63 / 120	42 / 95 / 170	
	A	0.11 / 0.15 / 0.27	0.11 / 0.15 / 0.20	0.11 / 0.20 / 0.32	0.15 / 0.27 / 0.45	0.15 / 0.23 / 0.36	0.18 / 0.28 / 0.53	0.18 / 0.42 / 0.74	
Water flow	l/h	219 / 280 / 340	316 / 402 / 461	387 / 574 / 745	506 / 667 / 863	724 / 845 / 1060	913 / 1166 / 1636	913 / 1453 / 1909	
Water content	l	0.8	1.4	2.1	2.1	3.0	4.0	4.0	
Pressure drop in cooling	kPa	4.5 / 7.0 / 10.0	4.9 / 7.6 / 9.7	4.6 / 9.4 / 15.1	7.5 / 12.4 / 19.7	10.9 / 14.3 / 21.6	9.4 / 14.7 / 26.9	9.4 / 21.8 / 35.6	
Pressure drop in heating	kPa	4.0 / 6.0 / 9.0	4.1 / 6.3 / 8.2	3.5 / 7.3 / 11.4	6.7 / 11.2 / 17.7	6.7 / 9.9 / 15.1	7.9 / 12.4 / 23.0	7.9 / 18.6 / 30.6	
Sound power level	dB(A)	33 / 40 / 49	33 / 40 / 45	33 / 45 / 53	41 / 49 / 59	33 / 40 / 48	34 / 40 / 53	34 / 48 / 58	
Sound pressure level *	dB(A)	24 / 31 / 40	24 / 31 / 36	24 / 36 / 44	32 / 40 / 50	24 / 31 / 39	25 / 31 / 44	25 / 39 / 49	
Dimensions (H x W x D)	mm	275 x 575 x 575					303 x 820 x 820		
Panel (W x D)	mm	670 x 670					965 x 965		
Net weight	kg	28	28	30	30	44	47	47	

* The sound pressure levels apply to the reverberant field of a 100 m³ room and a reverberation time of 0.5 sec.
Cooling capacities based on 7/12°C EWT - Indoor temperature 27°C DB / 19°C WB
Heating capacities based on 50°C EWT at nominal flow rate Indoor temperature 20°C
Water flow rate as for the cooling conditions.
All data are in Low / Medium / High speed.

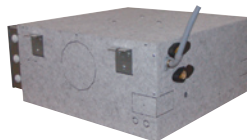
Technical features 4 pipe system

Model		YHK 20-4	YHK 25-4	YHK 40-4	YHK 50-4	YHK 65-4	YHK 95-4	YHK 110-4	
Cooling capacity	kW	1.5 / 2.0 / 2.3	1.9 / 2.4 / 2.7	1.9 / 2.7 / 3.3	2.4 / 3.0 / 3.8	4.1 / 5.0 / 6.3	4.5 / 5.7 / 7.7	4.5 / 6.9 / 8.9	
Sensible cooling capacity	kW	1.2 / 1.6 / 1.9	1.4 / 1.7 / 2.0	1.3 / 2.0 / 2.6	1.8 / 2.3 / 3.0	3.0 / 3.7 / 4.7	3.3 / 4.2 / 5.8	3.3 / 5.2 / 6.8	
Heating capacity	kW	2.0 / 2.5 / 3.0	2.4 / 3.0 / 3.5	2.4 / 3.5 / 4.4	3.1 / 4.0 / 5.0	5.9 / 7.2 / 9.1	6.5 / 8.1 / 11.0	6.5 / 10.0 / 12.7	
Power supply	V/Ph/Hz	230 / 1 / 50 + E							
Airflow	m ³ /h	310 / 420 / 610	310 / 420 / 520	320 / 500 / 710	430 / 610 / 880	630 / 820 / 1140	710 / 970 / 1500	710 / 1280 / 1820	
Fan	W	25 / 32 / 57	25 / 32 / 44	25 / 44 / 68	32 / 57 / 90	33 / 48 / 77	42 / 63 / 120	42 / 95 / 170	
	A	0.11 / 0.15 / 0.27	0.11 / 0.15 / 0.20	0.11 / 0.20 / 0.32	0.15 / 0.27 / 0.45	0.15 / 0.23 / 0.36	0.18 / 0.28 / 0.53	0.18 / 0.42 / 0.74	
Water flow in cooling	l/h	260 / 337 / 401	318 / 406 / 464	318 / 456 / 574	406 / 519 / 655	712 / 865 / 1090	777 / 974 / 1326	777 / 1192 / 1529	
Water flow in heating	l/h	169 / 219 / 261	209 / 260 / 298	209 / 298 / 378	267 / 341 / 426	508 / 618 / 783	555 / 697 / 946	555 / 858 / 1092	
Water content Cooling / Heating	l	1 / 0.6	1.4 / 0.7	1.4 / 0.7	1.4 / 0.7	3.0 / 1.4	3.0 / 1.4	3.0 / 1.4	
Pressure drop in cooling	kPa	6.0 / 10.0 / 13.5	4.6 / 6.9 / 8.8	4.6 / 8.8 / 13.4	7.2 / 11.2 / 17.0	8.8 / 12.5 / 18.9	10.3 / 15.4 / 26.9	10.3 / 22.1 / 34.7	
Pressure drop in heating	kPa	6.5 / 10.5 / 14.5	5.7 / 8.5 / 10.8	5.7 / 10.8 / 16.6	8.8 / 13.8 / 20.5	9.8 / 14.0 / 21.4	11.5 / 17.4 / 29.9	11.5 / 25.3 / 38.8	
Sound power level	dB(A)	33 / 40 / 50	33 / 40 / 45	33 / 45 / 53	41 / 49 / 59	33 / 40 / 48	34 / 40 / 53	34 / 48 / 58	
Sound pressure level *	dB(A)	24 / 31 / 41	24 / 31 / 36	24 / 36 / 44	32 / 40 / 50	24 / 31 / 39	25 / 31 / 44	25 / 39 / 49	
Dimensions (H x W x D)	mm	275 x 575 x 575					303 x 820 x 820		
Panel (W x D)	mm	670 x 670					965 x 965		
Net weight	kg	30	30	30	30	47	47	47	

* The sound pressure levels apply to the reverberant field of a 100 m³ room and a reverberation time of 0.5 sec.
Cooling capacities based on 7/12°C EWT - Indoor temperature 27°C DB / 19°C WB
Heating capacities based on 70/60°C EWT - Indoor temperature 20°C
All data are in Low / Medium / High speed.



Condensate pump integrated in all sizes



Metal parts insulated to avoid condensation



2 or 3 way valves fitted or supplied loose in all sizes



Outer casing as an option to integrate the water cassette into any environment

Hydro Cassette 2 & 4 pipe system



Compatibility table / Codes

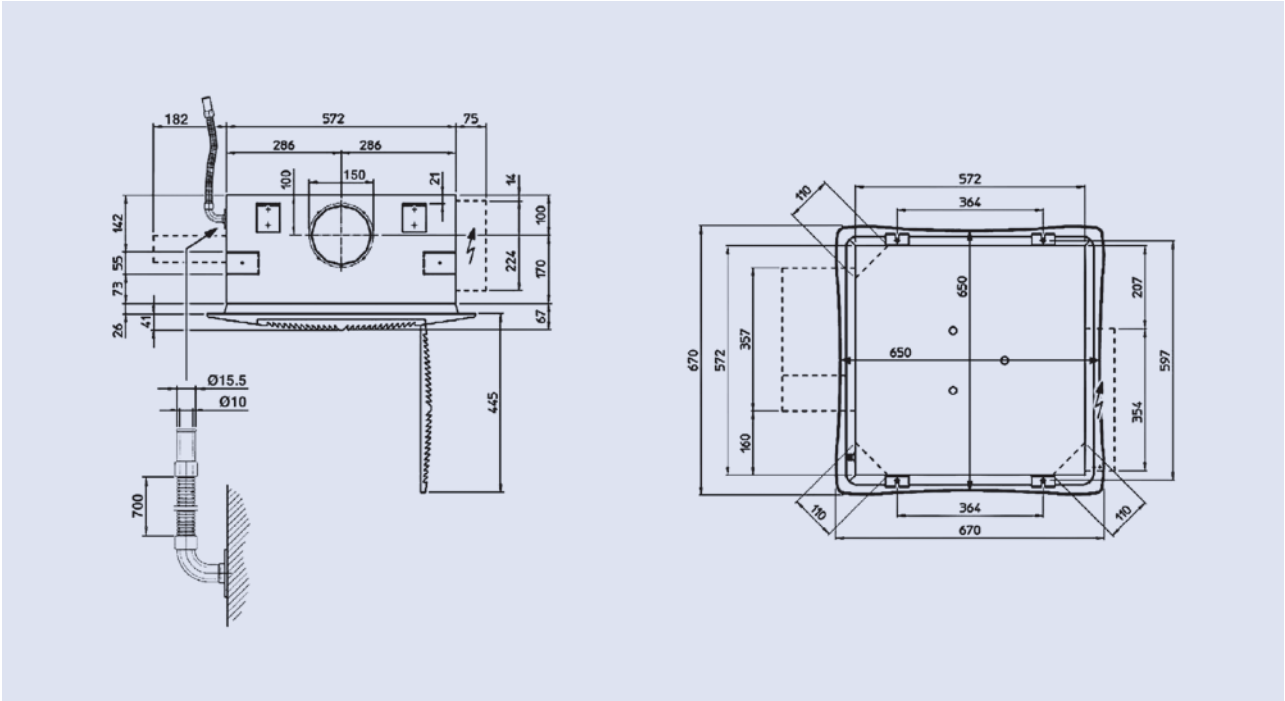
Model		YHK 20	YHK 25	YHK 40	YHK 50	YHK 65	YHK 95	YHK 110
Cassette YHKY - basic model without air diffuser	2 pipe system	•	•	•	•	•	•	•
	4 pipe system	•	•	•	•	•	•	•
Cassette YHKH - with infra red remote control without air diffuser	2 pipe system	•	•	•	•	•	•	•
	4 pipe system	•	•	•	•	•	•	•
Cassette YHKY-E - with electric resistance without air diffuser								
Version without infra red remote control YHKY-E	2 pipe system	•	•	•	•	•	•	•
Version with infra red remote control YHKH-E	2 pipe system	•	•	•	•	•	•	•
Cassette YHKY-REB - with remote electric board without air diffuser								
Cassette YHKY-REB	2 pipe system	•	•	•	•	•	•	•
	4 pipe system	•	•	•	•	•	•	•
<i>YHKH - Infrared remote control included with the water cassette</i>								
Options (Factory fitted)								
Valves								
3 way valve + mounting kit for 2 pipe models (factory fitted)	9079510		•					
	9079511						•	
3 way valve + mounting kit for 4 pipe models (factory fitted)	9079512		•					
	9079513						•	
Accessories (supplied loose)								
Air diffusers								
Air diffuser - intake grid, frame and louvres in RAL 9003 white colour	AKPA 600		•					
	AKPA 800						•	
Air diffuser - intake grid, frame and louvres in a colour of choice (*)	AKPB 600		•					
	AKPB 800						•	
Air diffuser - intake grid, frame and louvres in a colour of choice, frame in RAL 9003 white colour (*)	AKPC 600		•					
	AKPC 800						•	
Air diffuser - intake grid and frame in RAL 9003 white colour, louvres in a colour of choice (*)	AKPD 600		•					
	AKPD 800						•	
Valves								
3 way valve + mounting kit for 2 pipe models (not fitted)	9079500		•					
	9079501						•	
3 way valve + mounting kit for 4 pipe models (not fitted)	9079502		•					
	9079503						•	
2 way valve + mounting kit for 2 pipe models (not fitted)	9079505		•					
	9079506						•	
2 way valve + mounting kit for 4 pipe models (not fitted)	9079507		•					
	9079508						•	
3 way valve + mounting kit for units with outer casing OCA size 1-3 (not fitted)	9079519		•					
3 way valve + mounting kit for units with outer casing OCA size 4-6 (not fitted)	9079509						•	
Outer casing	OCA 600		•					
	OCA 800						•	
Fresh air duct	FAD				•			
Fresh air kit 1 way for units with outer casing OCA size 1-3	FAK 600		•					
Fresh air kit 1 way for units with outer casing OCA size 4-7	FAK 800						•	
CONTROLS for version without infrared remote control								
Remote three speed control BR	9060540				•			
Remote three speed control + electronic thermostat and S/W switch TR	9060541				•			
Automatic speed control with electronic thermostat and S/W - ATR	9060542				•			
Automatic speed control with electronic thermostat to be mounted in the light wall box TMO-503-SV2	9060172				•			
Receiver REC-S	9079110				•			
Automatic remote control with electronic thermostat, S/W switch and liquid crystal display DTR	9060521				•			
Receiver (slave) for control DTR RECD	9060139				•			
Change over CH 15-25	9053049				•			
Low temperature cut out thermostat TME	3021091				•			
CONTROLS for version with infrared remote control								
Digital remote control up to 60 multifunction units DRC-DI	9079102				•			
Change over for infra-red remote control CH T2/ETN	9079103				•			
Maxinet management system for a network of cassette fan coil								
Maxinet	9079104				•			
Board 8 relays for Maxinet	9079105				•			

(*) Minimum order quantity : 20 units

Dimensions

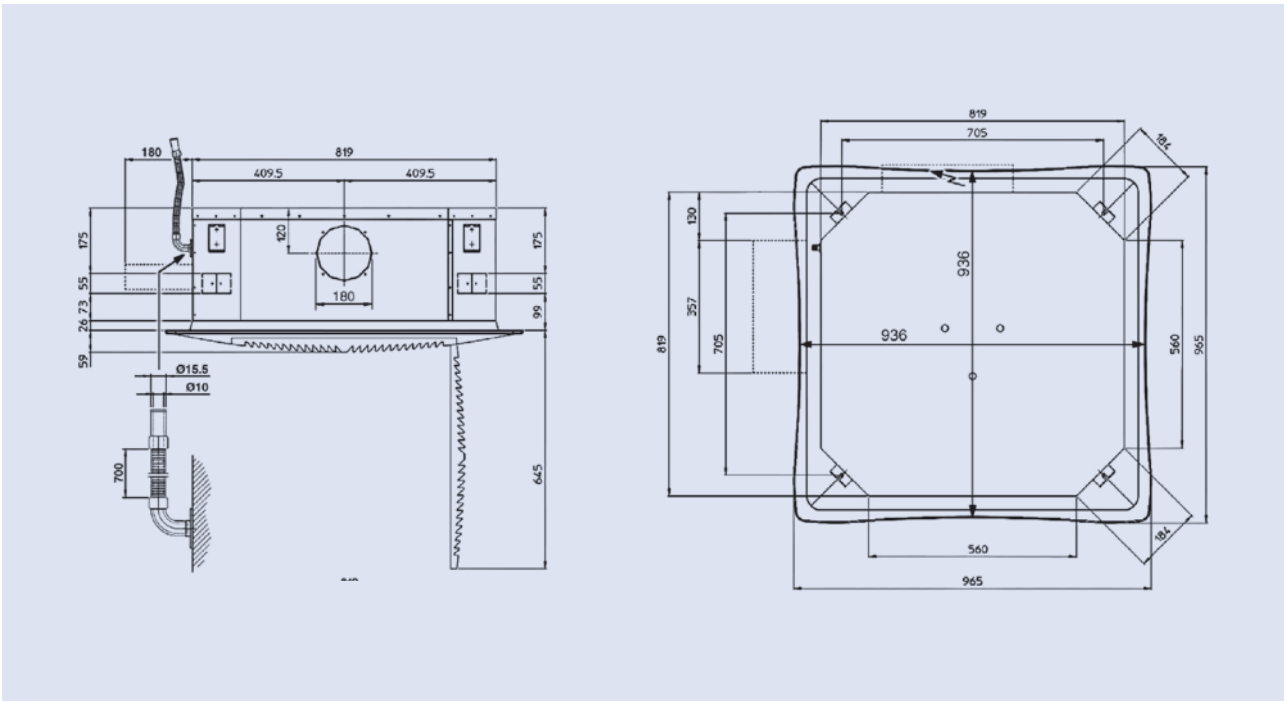


YHK 20/25/40/50-2 / YHK 20/25/40/50-4. (Version 600x600)



All dimensions in mm. Drawings not a scale.

YHK 65/95/110-2 / YHK 65/95/110-4. (Version 800x800)



All dimensions in mm. Drawings not a scale.