



TECHNICAL GUIDE

SPLIT-SYSTEM AIR CONDITIONERS

10 SEER – R-22/R-407C – 3 Phase 50 Hz

MODELS:

GCGA36 THRU 76

(3 THRU 6.3 NOMINAL TONS)



ISO 9001
Certified Quality
Management System

Due to continuous product improvement, specifications are subject to change without notice.

Visit us on the web at www.york.com

Additional rating information can be found at
www.ahridirectory.org

DESCRIPTION

The 10 SEER Series unit is the outdoor part of a versatile climate system. It is designed with a matching indoor coil component from Johnson Controls Unitary Products. Available for typical applications this climate system is supported with accessories and documents to serve specific functions.

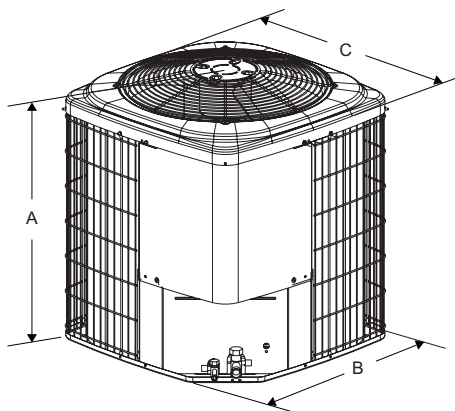
FEATURES

- **QUALITY CONDENSER COILS** - The coil is constructed of copper tubing and enhanced aluminum fins for increased efficiency and corrosion protection.
- **Protected Compressor** - The compressor is internally protected against high pressure and temperature. This is accomplished by the simultaneous operation of high pressure relief valve and a temperature sensor which protects the compressor if undesirable operating conditions occur. A liquid line filter-drier further protects the compressor.
- **Durable Finish** - The cabinet is made of pre-painted steel. The pre-treated galvanized steel provides a better paint to steel bond, which resists corrosion and rust creep. Special primer formulas and matted-textured finish insure less fading when exposed to sunlight.
- **Lower Installed Cost** - Installation time and costs are reduced by easy power and control wiring connections. Available in sweat connect models only. The small base dimension means less space is required on the ground or roof.
- **Top Discharge** - The warm air from the top mounted fan is blown up away from the structure and any landscaping. This allows compact location on multi-unit applications.
- **Low Operating Sound Level** - The upward air flow carries the normal operating noise away from the living area. The rigid top panel effectively isolates any motor sound. Isolator mounted compressor and the rippled fins of the condenser coil muffle the normal fan motor and compressor operating sounds.
- **Low Maintenance** - Long life permanently lubricated motor-bearings need no annual servicing.
- **Easy Service Access** - Fully exposed refrigerant connections, and a single panel covering the electrical controls make for easy servicing of the unit.
- **Secured Service Valves** - Secured re-usable service valves are provided on both the liquid and vapor sweat connections for ease of evacuating and charging.

Physical and Electrical Data

Model	GCGA36S26S3	GCGA48S26S3	GCGA60S26S3	GCGA76S26S3
Unit Supply Voltage	380 - 415V, 3 ϕ , 50Hz			
Normal Voltage Range ¹	342 to 455			
Minimum Circuit Ampacity	8.4	13.1	16.0	15.5
Max. Overcurrent Device Amps ²	15	20	25	25
Min. Overcurrent Device Amps ³	15	15	20	20
Multi-Stage Compressor	No	No	No	No
Compressor Type	Recip	Recip	Scroll	Scroll
Compressor Amps	Rated Load	6.1	9.0	10.9
	Locked Rotor	39.0	53.0	87.0
Crankcase Heater	No	No	No	No
Fan Diameter Inches	18	22	24	24
Fan Motor	Rated HP	1/4	1/3	1/3
	Rated Load Amps	0.80	1.90	1.90
	Nominal RPM	1100	1075	1075
	Nominal CFM	2150	3450	3650
Coil	Face Area Sq. Ft.	11.2	14.2	20.0
	Rows Deep	1	1	1
	Fin / Inches	18	18	18
Liquid Line Set OD (Field Installed)	3/8	3/8	3/8	1/2
Vapor Line Set OD (Field Installed)	3/4	7/8	7/8	1-1/8
R-22 Indoor Orifice	0.068	0.081	0.090	TXV
R-22 Unit Charge (Lbs. - Oz.) ⁴	5 - 10	7 - 2	8 - 11	10 - 12
R-22 Charge Per Foot, Oz.	0.68	0.70	0.70	1.26
R-407C Indoor Orifice	0.067	0.080	0.089	TXV
R-407C Unit Charge (Lbs. - Oz.) ⁴	5 - 12	7 - 5	9 - 4	11 - 0
R-407C Charge Per Foot, Oz.	0.63	0.65	0.65	1.20
Operating Weight Lbs.	145	165	185	200

1. Rated in accordance with ARI Standard 110, utilization range "A".
2. Dual element fuses or HACR circuit breaker.
3. Dual element fuses or HACR circuit breaker.
4. Since these products will operate with either R-22 or R-407C, they have been shipped from the factory without refrigerant. Charge weights shown are for 15' of interconnecting linesets and must be added by the technician installing the product.



All dimensions are in inches. They are subject to change without notice. Certified dimensions will be provided upon request.

Unit Model	Dimensions (Inches)			Refrigerant Connection Service Valve Size	
	A ¹	B	C	Liquid	Vapor
36	32	23-1/2	23-1/2	3/8"	3/4"
48	30	29	29		7/8"
60	34	33-1/2	33-1/2		
76	40	33-1/2	33-1/2	1/2"	1-1/8"

1. Including Fan Guard.

COOLING CAPACITY (R-22) – With Air Handler Coils

Unit Model	Air Handler		Rated CFM	Cooling		KW
	Model	W		Net MBH		
				Total	Sensible	
GCGA & FRP (Single Phase)						
GCGA36S26S3	F2RP036H93	21-1/2	1100	33.0	23.0	3.91
GCGA48S26S3	F2RP048H93	24	1600	46.6	32.9	5.72
GCGA60S26S3	F2RP060H93	24	1900	56.6	39.1	6.82
GCGA76S26S3	K5EU090A50	52	2800	75.0	56.1	7.18

Rated in accordance with DOE test procedures (Federal Register 12-27-79 and 3-18-88) and ARI Standards 210.
Cooling MBH based on 80°F entering air temperature, 50% RH, and rated air flow.
EER (Energy Efficiency Ratio) is the total cooling output in BTU's at 95°F outdoor ambient divided by the total electric power in watt-hours at those conditions.
SEER (Seasonal Energy Efficiency Ratio) is the total cooling output in BTU's during a normal annual usage period for cooling divided by the total electric power input in watt-hours during the same period.

COOLING CAPACITY (R-407C) – With Air Handler Coils

Unit Model	Air Handler		Rated CFM	Cooling		KW
	Model	W		Net MBH		
				Total	Sensible	
GCGA & FRP (Single Phase)						
GCGA36S26S3	F2RP036H93	21-1/2	1100	31.7	22.4	3.82
GCGA48S26S3	F2RP048H93	24	1600	45.5	32.8	5.76
GCGA60S26S3	F2RP060H93	24	1900	54.0	38.1	6.99
GCGA76S26S3	K5EU090A50	52	2800	70.8	53.8	7.12

Rated in accordance with DOE test procedures (Federal Register 12-27-79 and 3-18-88) and ARI Standards 210.
Cooling MBH based on 80°F entering air temperature, 50% RH, and rated air flow.
EER (Energy Efficiency Ratio) is the total cooling output in BTU's at 95°F outdoor ambient divided by the total electric power in watt-hours at those conditions.
SEER (Seasonal Energy Efficiency Ratio) is the total cooling output in BTU's during a normal annual usage period for cooling divided by the total electric power input in watt-hours during the same period.

SOUND POWER RATINGS

UNIT MODEL	(dBA)*
36	78.0
48	80.0
60	82.0
76	84.0

* Rated in accordance with ARI 270-95 Standards.

CONDENSER TABLES

Model	Saturated Suction @ Compressor		Outdoor Ambient Temperature (R-22)													
			65 F		75 F		85 F		95 F		105 F		115 F		125 F	
	T	P	MBH	KW	MBH	KW	MBH	KW	MBH	KW	MBH	KW	MBH	KW	MBH	KW
GCGA36S26S3	35	61.5	34.3	3.17	31.8	3.28	29.7	3.40	27.7	3.54	25.8	3.67	23.7	3.78	21.5	3.86
	40	68.6	38.1	3.30	35.4	3.42	33.1	3.56	30.9	3.70	28.7	3.84	26.5	3.95	24.0	4.05
	45	76.1	42.0	3.43	39.2	3.56	36.6	3.71	34.2	3.87	31.8	4.01	29.4	4.13	26.7	4.24
	50	84.1	46.1	3.57	42.9	3.72	40.3	3.87	37.6	4.03	35.0	4.18	32.4	4.31	29.5	4.43
	55	92.6	50.4	3.72	47.1	3.87	44.0	4.03	41.1	4.20	38.3	4.36	35.4	4.49	32.4	4.61
GCGA48S26S3	35	61.5	49.2	4.70	45.6	4.89	42.5	5.04	39.7	5.17	36.9	5.27	34.1	5.39	30.9	5.54
	40	68.6	54.2	4.90	50.5	5.11	47.1	5.28	44.1	5.42	41.1	5.55	38.0	5.68	34.5	5.84
	45	76.1	59.5	5.10	55.5	5.33	52.0	5.53	48.7	5.69	45.4	5.84	41.9	5.97	38.2	6.14
	50	84.1	64.9	5.30	60.8	5.56	56.9	5.78	53.3	5.96	49.8	6.13	46.0	6.28	42.0	6.46
	55	92.6	70.5	5.51	66.1	5.79	62.0	6.03	58.1	6.24	54.2	6.42	50.2	6.59	45.9	6.78
GCGA60S26S3	35	61.5	58.3	5.10	55.9	5.47	51.9	5.96	49.6	6.27	46.8	6.63	43.5	7.01	39.7	7.36
	40	68.6	63.9	5.21	58.5	5.56	56.8	6.09	54.8	6.36	51.5	6.79	48.0	7.18	44.3	7.55
	45	76.1	69.5	5.33	66.1	5.69	61.8	6.22	59.4	6.55	56.3	6.94	52.6	7.36	48.8	7.76
	50	84.1	75.3	5.44	71.6	5.81	67.2	6.34	64.8	6.64	61.2	7.11	57.4	7.55	53.4	7.98
	55	92.6	81.1	5.55	77.2	5.93	72.5	6.47	70.0	6.79	66.2	7.26	62.2	7.74	58.1	8.19
GCGA76S26S3	35	61.5	70.8	5.48	68.3	5.76	64.7	6.22	60.9	6.71	56.9	7.21	52.7	7.70	48.2	8.15
	40	68.6	77.0	5.63	74.6	5.92	70.7	6.38	66.7	6.88	62.5	7.40	58.1	7.91	53.4	8.40
	45	76.1	84.1	5.73	81.1	6.07	77.0	6.53	72.7	7.05	68.3	7.59	63.6	8.13	58.8	8.65
	50	84.1	91.6	5.84	87.8	6.20	83.4	6.68	78.9	7.21	74.2	7.78	69.4	8.34	64.3	8.90
	55	92.6	98.5	5.92	94.7	6.33	90.0	6.82	85.2	7.37	80.3	7.95	75.2	8.54	69.9	9.14

Model	Saturated Suction @ Compressor		Outdoor Ambient Temperature (R-407C)													
			65 F		75 F		85 F		95 F		105 F		115 F		125 F	
	T	P	MBH	KW	MBH	KW	MBH	KW	MBH	KW	MBH	KW	MBH	KW	MBH	KW
GCGA36S26S3	35	56.2	30.9	3.00	28.5	3.09	26.1	3.19	23.6	3.28	21.2	3.36	18.9	3.41	16.6	3.45
	40	63.2	34.8	3.15	32.1	3.25	29.4	3.35	26.7	3.44	24.1	3.53	21.6	3.59	19.2	3.63
	45	70.8	38.9	3.30	35.9	3.40	32.9	3.51	30.0	3.61	27.2	3.70	24.4	3.77	21.7	3.82
	50	78.8	43.2	3.46	39.9	3.56	36.6	3.67	33.4	3.78	30.4	3.87	27.4	3.95	24.4	4.01
	55	87.5	47.7	3.62	44.1	3.73	40.7	3.84	37.2	3.94	33.9	4.03	30.6	4.12	27.2	4.20
GCGA48S26S3	35	56.2	44.0	4.51	40.6	4.65	37.2	4.73	33.9	4.79	30.6	4.83	27.3	4.89	24.1	5.01
	40	63.2	49.3	4.72	45.6	4.88	41.9	4.98	38.2	5.05	34.6	5.11	31.1	5.17	27.5	5.28
	45	70.8	54.9	4.94	50.8	5.12	46.8	5.24	42.7	5.33	38.8	5.40	34.9	5.47	31.1	5.58
	50	78.8	60.7	5.17	56.3	5.37	51.9	5.50	47.5	5.61	43.1	5.69	39.0	5.77	34.8	5.88
	55	87.5	66.7	5.41	62.0	5.61	57.2	5.77	52.4	5.89	47.7	5.98	43.1	6.08	38.7	6.20
GCGA60S26S3	35	56.2	57.3	5.13	54.4	5.47	51.1	5.90	46.9	6.52	43.5	7.03	40.5	7.54	36.8	8.19
	40	63.2	63.0	5.24	59.9	5.58	56.4	6.01	51.9	6.62	49.1	7.01	45.7	7.55	41.5	8.25
	45	70.8	69.2	5.36	65.6	5.73	62.2	6.12	57.2	6.74	54.3	7.14	50.7	7.66	46.5	8.33
	50	78.8	75.9	5.48	72.3	5.82	68.2	6.25	63.0	6.87	60.2	7.23	55.9	7.82	51.5	8.47
	55	87.5	83.3	5.59	79.1	5.96	74.7	6.40	69.0	7.03	66.0	7.40	61.5	8.00	56.9	8.65
GCGA76S26S3	35	56.2	60.6	5.48	57.9	5.96	55.3	6.33	52.0	6.83	48.7	7.37	45.2	7.96	41.4	8.62
	40	63.2	67.3	5.58	63.9	6.03	61.1	6.41	57.6	6.92	53.8	7.47	50.0	8.06	46.1	8.71
	45	70.8	74.1	5.64	70.2	6.11	67.2	6.49	63.4	7.00	59.4	7.56	55.2	8.18	51.0	8.83
	50	78.8	81.4	5.68	76.9	6.20	73.7	6.58	69.6	7.10	65.3	7.65	60.7	8.29	56.1	8.96
	55	87.5	89.0	5.75	83.9	6.28	80.5	6.67	76.1	7.20	71.5	7.76	66.6	8.41	61.5	9.10

1. For condensing unit performance only. Data does not include the effects of air handler power or heat.
2. Performance based on 15°F subcooling and 15°F superheat at the condensing unit base valves.
 - a. increase capacity by 1% for each 2°F increase in subcooling.
 - b. Decrease capacity by 1% for each 2°F decrease in subcooling.
3. Maximum recommended condensing temperature is 140°F.

COOLING PERFORMANCE DATA (R-22)																
AIR CONDITIONER MODEL NO.		GCGA36S26S3														
INDOOR COIL MODEL NO.		F2RP036H93														
CONDENSING ENTERING AIR TEMPERATURE	IDCFM	900					1100					1300				
	ID DB (°F)	80	80	75	80	80	80	80	75	80	80	80	80	75	80	80
	ID WB (°F)	57	62	62	67	72	57	62	62	67	72	57	62	62	67	72
65	T.C.	27.9	31.3	32.6	34.6	36.6	28.6	32.3	33.4	35.5	36.8	29.8	32.7	33.9	35.3	37.6
	S.C.	27.9	25.4	23.0	22.4	19.2	28.6	27.1	24.1	23.5	18.5	29.8	28.4	25.2	23.5	19.7
	KW	3.04	3.07	3.04	3.11	3.22	3.20	3.25	3.21	3.28	3.35	3.41	3.41	3.36	3.41	3.55
75	T.C.	26.9	30.9	31.9	34.3	36.7	28.9	31.7	32.9	35.1	37.5	30.0	31.9	33.1	35.7	37.6
	S.C.	26.9	25.8	22.9	22.1	18.4	28.9	27.7	24.3	23.4	19.3	30.0	28.9	25.3	24.2	19.4
	KW	3.19	3.28	3.22	3.31	3.44	3.43	3.44	3.40	3.49	3.62	3.63	3.59	3.55	3.65	3.76
85	T.C.	26.6	29.8	31.1	33.6	36.2	28.5	30.6	31.9	34.1	36.9	29.2	31.0	32.1	34.3	37.0
	S.C.	26.6	25.5	22.6	22.2	18.2	28.5	27.8	24.2	23.2	18.8	29.2	29.4	25.2	24.0	19.4
	KW	3.41	3.47	3.43	3.53	3.67	3.65	3.65	3.60	3.69	3.84	3.83	3.80	3.74	3.85	3.99
95	T.C.	25.5	28.2	29.4	32.5	34.8	27.4	29.1	30.5	33.0	35.6	28.5	29.8	31.0	33.3	35.6
	S.C.	25.5	24.7	21.6	21.6	17.7	27.4	27.2	23.6	23.0	18.3	28.5	29.7	25.4	24.0	18.5
	KW	3.61	3.64	3.60	3.74	3.88	3.86	3.83	3.79	3.91	4.06	4.06	4.01	3.96	4.07	4.21
105	T.C.	24.2	26.6	27.7	30.9	33.3	25.9	27.3	28.5	31.4	33.9	27.1	27.9	29.1	31.8	33.9
	S.C.	24.2	24.0	21.0	21.1	16.9	25.9	26.5	22.7	22.6	17.7	27.1	27.9	24.5	23.8	17.9
	KW	3.78	3.80	3.76	3.93	4.09	4.04	4.00	3.95	4.10	4.27	4.26	4.18	4.14	4.27	4.41
115	T.C.	22.9	24.5	25.5	28.9	31.8	24.5	25.3	26.4	29.7	32.1	25.4	25.7	26.9	30.1	32.5
	S.C.	22.9	23.1	20.0	20.1	16.2	24.5	25.3	21.9	21.9	17.0	25.4	25.7	23.5	23.4	17.3
	KW	3.94	3.93	3.89	4.09	4.29	4.21	4.13	4.09	4.28	4.46	4.44	4.31	4.26	4.45	4.63
125	T.C.	21.3	22.2	23.2	26.5	29.8	22.6	22.8	23.9	27.1	30.1	23.7	25.0	24.1	27.6	30.3
	S.C.	21.3	22.2	19.0	19.1	15.2	22.6	22.8	20.8	20.9	16.1	23.7	25.0	22.4	22.6	16.6
	KW	4.10	4.04	3.99	4.22	4.46	4.35	4.23	4.18	4.40	4.63	4.59	4.54	4.36	4.59	4.81

COOLING PERFORMANCE DATA (R-407C)																
AIR CONDITIONER MODEL NO.		GCGA36S26S3														
INDOOR COIL MODEL NO.		F2RP036H93														
CONDENSING ENTERING AIR TEMPERATURE	IDCFM	900					1100					1300				
	ID DB (°F)	80	80	75	80	80	80	80	75	80	80	80	80	75	80	80
	ID WB (°F)	57	62	62	67	72	57	62	62	67	72	57	62	62	67	72
65	T.C.	31.4	33.2	33.0	35.3	37.2	32.6	33.7	33.5	35.9	37.7	33.2	34.6	34.2	36.6	37.9
	S.C.	30.3	26.9	23.3	22.7	19.0	32.2	28.2	24.2	23.5	19.3	33.2	29.7	25.1	24.3	19.3
	KW	2.98	3.05	3.04	3.13	3.21	3.16	3.21	3.20	3.30	3.37	3.33	3.38	3.37	3.47	3.52
75	T.C.	30.5	32.1	32.0	34.4	36.0	31.8	32.9	33.0	35.4	36.6	32.5	33.3	33.4	35.2	36.9
	S.C.	29.9	26.7	23.0	22.4	18.4	31.8	28.6	24.5	23.4	18.9	32.5	29.9	25.4	23.9	19.3
	KW	3.13	3.19	3.19	3.30	3.37	3.32	3.37	3.39	3.49	3.54	3.50	3.53	3.54	3.62	3.70
85	T.C.	29.0	30.4	30.4	33.1	35.2	30.4	31.4	31.3	33.8	35.5	31.6	31.6	31.6	34.0	36.0
	S.C.	28.9	26.3	22.3	21.8	17.7	30.4	28.7	23.9	23.1	18.2	31.6	30.6	25.2	23.8	18.6
	KW	3.29	3.36	3.36	3.49	3.59	3.50	3.55	3.55	3.67	3.75	3.71	3.71	3.71	3.82	3.92
95	T.C.	27.7	28.4	28.5	31.2	33.2	28.9	29.2	29.1	31.7	33.7	30.1	30.9	29.5	31.9	34.1
	S.C.	27.7	25.5	21.4	21.1	16.8	28.9	28.2	23.1	22.4	17.5	30.1	28.9	24.6	23.6	17.8
	KW	3.41	3.50	3.49	3.65	3.75	3.68	3.69	3.69	3.82	3.94	3.89	3.92	3.85	3.98	4.11
105	T.C.	26.4	25.6	25.5	29.0	31.3	27.2	27.2	27.1	29.5	31.8	28.4	28.6	26.7	29.6	31.9
	S.C.	26.4	24.2	20.1	20.2	15.8	27.2	27.1	22.3	21.8	16.6	28.4	27.2	23.6	23.2	17.1
	KW	3.53	3.60	3.61	3.79	3.91	3.84	3.76	3.75	3.96	4.08	4.05	4.05	3.95	4.13	4.24
115	T.C.	25.3	23.9	22.9	27.2	29.1	25.5	25.9	23.4	26.9	29.4	26.2	26.3	23.5	27.3	29.5
	S.C.	25.3	22.4	18.9	19.5	15.1	25.5	24.6	20.7	20.9	15.7	26.2	25.5	22.3	22.5	16.0
	KW	3.69	3.76	3.70	3.84	4.04	3.92	3.93	3.88	4.07	4.21	4.15	4.16	4.03	4.23	4.37
125	T.C.	21.2	21.4	19.8	23.3	26.5	22.5	22.6	20.2	25.0	26.9	24.4	24.1	20.2	25.4	26.8
	S.C.	21.2	20.5	17.6	17.9	14.0	22.5	22.1	19.4	20.1	14.8	24.4	23.8	20.2	21.8	15.5
	KW	3.87	3.88	3.79	3.96	4.16	4.08	4.08	3.96	4.11	4.33	4.24	4.23	4.11	4.26	4.49

NOTE: ALL CAPACITIES INCLUDE INDOOR FAN HEAT AT 1250 BTUH/1000 CFM.

Multipliers for determining the performance with other indoor sections.

NOTE: For dry bulb temperatures different than those listed (between 73-87 F), sensible capacity increases by 1060 BTUH per 1000 CFM per degree above the listed temperature and decreases by 1060 BTUH per 1000 CFM per degree below the listed temperature.

COOLING PERFORMANCE DATA (R-22)																
AIR CONDITIONER MODEL NO.		GCGA48S26S3														
INDOOR COIL MODEL NO.		F2RP048H93														
CONDENSING ENTERING AIR TEMPERATURE	IDCFM	1400					1600					1800				
	ID DB (°F)	80	80	75	80	80	80	80	75	80	80	80	80	75	80	80
	ID WB (°F)	57	62	62	67	72	57	62	62	67	72	57	62	62	67	72
65	T.C.	45.3	46.7	47.2	50.8	55.9	47.4	47.3	47.8	51.0	56.5	48.4	47.8	48.2	51.8	57.6
	S.C.	45.3	39.1	33.7	32.7	28.0	47.4	40.8	35.1	33.6	28.5	48.4	42.5	36.4	34.8	28.8
	KW	4.69	4.79	4.55	4.71	4.95	4.93	4.97	4.73	4.86	5.13	5.13	5.16	4.91	5.07	5.33
75	T.C.	44.4	45.3	46.0	49.8	55.6	46.2	45.9	46.6	50.3	56.0	47.5	46.2	47.2	50.7	56.5
	S.C.	44.4	38.8	33.3	32.6	27.2	46.2	41.1	34.9	33.9	28.2	47.5	43.1	36.6	34.9	28.7
	KW	4.98	5.09	4.85	5.03	5.32	5.24	5.28	5.02	5.21	5.50	5.46	5.46	5.23	5.39	5.69
85	T.C.	42.5	42.8	43.4	47.8	53.9	44.4	43.8	44.4	48.6	54.2	45.8	44.2	45.3	48.8	54.7
	S.C.	42.5	37.8	32.1	31.9	26.7	44.4	40.3	34.0	33.5	27.3	45.8	42.6	35.8	34.6	28.0
	KW	5.18	5.30	5.03	5.27	5.61	5.47	5.52	5.25	5.49	5.80	5.73	5.71	5.44	5.64	5.99
95	T.C.	40.6	40.5	41.2	45.8	51.7	42.4	41.3	42.1	46.6	52.1	43.7	41.8	42.6	46.7	52.4
	S.C.	40.6	36.7	31.1	31.0	25.9	42.4	39.3	32.9	32.9	26.5	43.7	41.7	34.6	34.1	27.0
	KW	5.39	5.47	5.20	5.50	5.86	5.69	5.71	5.44	5.72	6.06	5.94	5.91	5.63	5.88	6.25
105	T.C.	38.6	37.9	38.4	43.2	49.6	40.2	38.6	39.2	43.9	50.0	41.7	39.0	39.7	43.8	50.0
	S.C.	38.6	35.6	29.9	29.9	24.7	40.2	38.1	31.7	31.6	25.6	41.7	39.0	33.4	33.1	26.0
	KW	5.59	5.62	5.36	5.70	6.14	5.88	5.85	5.57	5.92	6.35	6.17	6.07	5.79	6.11	6.51
115	T.C.	36.3	34.6	35.2	40.3	46.8	37.8	35.5	36.1	40.9	47.1	39.1	36.3	36.4	41.1	46.9
	S.C.	36.3	34.2	28.5	28.8	23.6	37.8	35.5	30.4	30.5	24.3	39.1	36.3	32.0	32.0	25.1
	KW	5.81	5.77	5.50	5.87	6.39	6.11	6.00	5.72	6.11	6.60	6.39	6.26	5.93	6.30	6.77
125	T.C.	33.6	31.5	31.9	36.7	43.1	35.0	33.2	32.2	37.2	43.6	36.2	34.7	32.7	37.6	43.7
	S.C.	33.6	31.5	27.0	27.3	22.0	35.0	33.2	28.7	29.0	22.9	36.2	34.7	30.5	30.7	23.7
	KW	6.08	5.99	5.69	6.06	6.65	6.36	6.31	5.89	6.29	6.87	6.65	6.61	6.08	6.49	7.07

COOLING PERFORMANCE DATA (R-407C)																
AIR CONDITIONER MODEL NO.		GCGA48S26S3														
INDOOR COIL MODEL NO.		F2RP048H93														
CONDENSING ENTERING AIR TEMPERATURE	IDCFM	1400					1600					1800				
	ID DB (°F)	80	80	75	80	80	80	80	75	80	80	80	80	75	80	80
	ID WB (°F)	57	62	62	67	72	57	62	62	67	72	57	62	62	67	72
65	T.C.	46.4	49.4	49.3	53.0	55.8	47.6	49.9	49.8	53.4	56.6	48.6	50.5	50.5	54.0	57.1
	S.C.	45.9	41.4	35.2	34.0	27.9	47.6	43.2	36.5	35.2	28.5	48.6	45.1	37.9	36.3	28.8
	KW	4.63	4.76	4.75	4.91	5.04	4.84	4.93	4.93	5.09	5.23	5.04	5.12	5.12	5.27	5.43
75	T.C.	43.8	45.9	46.0	51.5	54.4	45.7	46.3	46.7	51.9	54.8	48.0	48.1	48.1	51.9	54.9
	S.C.	43.8	40.1	33.8	33.8	26.8	45.7	42.6	35.5	35.4	27.4	48.0	45.4	37.6	36.0	27.7
	KW	4.93	5.06	5.04	5.37	5.39	5.18	5.26	5.29	5.57	5.59	5.45	5.47	5.45	5.60	5.75
85	T.C.	42.3	43.7	42.6	48.4	51.6	43.9	44.6	44.6	48.8	52.3	45.5	45.9	44.4	49.3	52.7
	S.C.	42.3	39.1	32.2	32.5	25.9	43.9	41.9	34.7	34.1	26.4	45.5	43.1	36.0	35.5	26.7
	KW	4.99	5.14	5.14	5.40	5.57	5.32	5.34	5.32	5.57	5.76	5.57	5.59	5.52	5.77	5.94
95	T.C.	39.8	39.8	39.9	44.9	48.8	42.0	42.7	41.6	45.5	49.2	42.6	43.2	42.5	45.9	49.6
	S.C.	39.8	37.5	31.0	31.1	24.5	42.0	40.3	33.3	32.8	25.2	42.6	40.7	35.2	34.4	25.6
	KW	5.22	5.26	5.26	5.55	5.78	5.45	5.45	5.43	5.76	5.96	5.75	5.79	5.60	5.93	6.16
105	T.C.	36.3	37.5	36.0	42.7	45.4	38.7	39.5	38.5	41.7	45.9	40.7	40.7	36.9	41.8	46.2
	S.C.	36.3	35.0	29.3	30.3	23.1	38.7	37.2	32.0	31.4	23.8	40.7	39.0	32.9	32.9	24.4
	KW	5.45	5.46	5.39	5.62	5.94	5.65	5.66	5.51	5.89	6.16	5.85	5.90	5.76	6.06	6.34
115	T.C.	33.8	34.1	31.6	36.9	41.3	36.6	36.9	31.8	38.5	42.3	36.5	36.6	32.7	38.2	42.2
	S.C.	33.8	32.4	27.4	27.9	21.3	36.6	35.3	29.1	30.0	22.4	36.5	35.9	30.9	31.5	23.1
	KW	5.59	5.61	5.50	5.80	6.10	5.74	5.78	5.70	5.97	6.34	6.06	6.06	5.87	6.16	6.52
125	T.C.	31.2	32.3	29.5	34.8	39.4	33.4	33.4	28.8	32.6	37.7	35.7	35.1	31.2	37.1	40.3
	S.C.	31.2	31.1	26.5	27.1	20.7	33.4	32.7	26.8	27.8	20.8	35.7	34.7	29.2	31.0	22.4
	KW	5.77	5.71	5.56	5.85	6.21	5.95	5.95	5.89	6.12	6.52	6.12	6.11	5.99	6.20	6.64

NOTE: ALL CAPACITIES INCLUDE INDOOR FAN HEAT AT 1250 BTUH/1000 CFM.

Multipliers for determining the performance with other indoor sections.

NOTE: For dry bulb temperatures different than those listed (between 73-87 F), sensible capacity increases by 1060 BTUH per 1000 CFM per degree above the listed temperature and decreases by 1060 BTUH per 1000 CFM per degree below the listed temperature.

COOLING PERFORMANCE DATA (R-22)																
AIR CONDITIONER MODEL NO.		GCGA60S26S3														
INDOOR COIL MODEL NO.		F2RP060H93														
CONDENSING ENTERING AIR TEMPERATURE	IDCFM	1700					1900					2100				
	ID DB (°F)	80	80	75	80	80	80	80	75	80	80	80	80	75	80	80
	ID WB (°F)	57	62	62	67	72	57	62	62	67	72	57	62	62	67	72
65	T.C.	52.1	54.8	56.3	59.6	62.5	52.7	54.6	56.5	59.5	62.1	53.9	54.3	56.1	59.9	60.7
	S.C.	52.1	45.6	40.3	38.5	30.7	52.7	46.8	40.4	38.9	30.7	53.9	47.1	41.1	39.3	30.3
	KW	5.00	5.08	5.14	5.22	5.33	5.23	5.29	5.37	5.46	5.55	5.48	5.49	5.58	5.70	5.77
75	T.C.	52.9	53.7	55.5	58.4	59.2	54.2	53.3	54.7	57.5	60.0	55.2	55.2	57.1	58.2	59.9
	S.C.	52.9	46.1	40.2	38.2	30.1	54.2	47.5	40.8	38.5	28.7	55.2	50.3	42.7	39.5	30.2
	KW	5.43	5.50	5.58	5.72	5.82	5.72	5.74	5.85	6.00	6.05	5.97	5.97	6.07	6.23	6.28
85	T.C.	50.7	52.0	55.0	58.4	61.6	52.7	51.9	54.2	58.7	61.7	53.1	52.5	54.6	59.6	61.6
	S.C.	50.7	45.7	40.4	38.7	29.7	52.7	47.5	41.1	39.8	31.4	53.1	49.6	42.2	41.4	30.9
	KW	6.00	6.02	6.08	6.28	6.44	6.21	6.26	6.36	6.54	6.71	6.53	6.50	6.61	6.83	6.94
95	T.C.	49.5	50.3	52.5	57.1	61.4	51.2	51.1	53.3	56.6	58.7	52.1	51.3	52.7	57.3	60.6
	S.C.	49.5	45.2	39.2	38.3	29.8	51.2	47.7	40.9	39.1	29.9	52.1	49.8	41.4	40.4	30.8
	KW	6.52	6.53	6.65	6.64	6.88	6.78	6.79	6.91	6.82	6.92	7.07	7.05	6.89	7.12	7.30
105	T.C.	47.1	47.3	49.2	54.6	56.9	48.5	47.6	49.6	54.5	56.8	49.5	47.6	49.5	54.9	56.4
	S.C.	47.1	43.9	37.7	37.5	29.0	48.5	46.1	39.3	38.2	28.8	49.5	47.6	40.6	39.4	27.7
	KW	6.93	6.95	7.08	7.35	7.21	7.24	7.22	7.34	7.31	7.44	7.55	7.47	7.61	7.57	7.66
115	T.C.	45.7	45.4	47.2	51.7	54.7	46.6	45.6	47.5	51.8	54.5	47.2	46.1	47.8	51.6	53.8
	S.C.	45.7	43.0	36.8	36.2	27.8	46.6	45.2	38.4	37.3	28.0	47.2	46.1	39.9	38.4	27.8
	KW	7.24	7.21	7.34	7.53	7.73	7.52	7.44	7.57	7.78	7.97	7.78	7.71	7.84	8.02	8.15
125	T.C.	43.1	42.0	43.8	48.8	51.4	44.4	42.2	43.9	48.9	51.6	45.1	42.6	44.2	48.6	51.4
	S.C.	43.1	41.6	35.3	35.2	26.5	44.4	42.2	36.9	36.4	27.0	45.1	42.6	38.4	37.3	27.2
	KW	7.64	7.58	7.72	8.01	8.18	7.98	7.84	7.98	8.26	8.45	8.27	8.12	8.25	8.47	8.68

COOLING PERFORMANCE DATA (R-407C)																
AIR CONDITIONER MODEL NO.		GCGA60S26S3														
INDOOR COIL MODEL NO.		F2RP060H93														
CONDENSING ENTERING AIR TEMPERATURE	IDCFM	1700					1900					2100				
	ID DB (°F)	80	80	75	80	80	80	80	75	80	80	80	80	75	80	80
	ID WB (°F)	57	62	62	67	72	57	62	62	67	72	57	62	62	67	72
65	T.C.	55.9	59.0	59.6	63.9	65.2	57.4	60.0	59.1	62.8	66.0	58.0	59.6	59.8	63.8	66.6
	S.C.	55.0	48.7	41.7	40.1	32.4	57.4	50.1	42.1	40.3	32.8	58.0	51.1	43.4	40.9	32.9
	KW	5.34	5.42	5.44	5.55	5.58	5.59	5.66	5.64	5.74	5.82	5.82	5.86	5.87	5.98	6.05
75	T.C.	54.1	56.7	56.5	60.8	64.0	55.0	56.8	57.1	60.9	64.8	55.2	57.6	57.4	61.5	64.0
	S.C.	54.1	48.3	40.6	39.4	31.6	55.0	49.9	42.0	40.1	32.1	55.2	52.2	43.2	40.7	31.1
	KW	5.85	5.91	5.91	6.02	6.14	6.09	6.14	6.14	6.26	6.38	6.32	6.37	6.37	6.50	6.58
85	T.C.	51.3	54.1	54.2	58.2	62.8	52.7	53.7	54.2	58.2	61.4	53.3	54.4	54.4	58.6	62.4
	S.C.	51.3	47.5	39.7	38.6	30.2	52.7	49.3	41.0	39.6	30.3	53.3	51.4	42.2	40.4	31.2
	KW	6.08	6.15	6.15	6.27	6.45	6.33	6.37	6.37	6.49	6.60	6.56	6.59	6.56	6.72	6.87
95	T.C.	48.4	50.6	50.3	54.9	58.4	49.6	50.6	50.6	54.0	59.4	51.5	51.2	51.2	54.7	59.6
	S.C.	48.4	45.8	37.9	37.4	28.5	49.6	48.0	39.4	38.1	29.4	51.5	50.4	41.0	39.6	29.9
	KW	6.44	6.52	6.52	6.70	6.91	6.72	6.75	6.75	6.99	7.18	6.98	6.97	6.97	7.24	7.40
105	T.C.	45.9	47.5	45.3	49.9	55.6	46.7	46.1	45.9	50.6	55.7	47.0	48.3	47.1	51.3	56.0
	S.C.	45.9	44.5	35.8	35.3	27.4	46.7	45.7	37.4	36.9	28.0	47.0	47.2	39.3	38.5	28.5
	KW	6.85	6.89	6.97	7.20	7.44	7.15	7.20	7.20	7.43	7.67	7.52	7.41	7.38	7.68	7.83
115	T.C.	40.8	41.0	39.9	46.9	51.1	44.8	44.0	39.5	47.1	51.2	42.6	44.6	42.5	47.3	50.8
	S.C.	40.8	40.0	33.4	34.2	25.9	44.8	43.5	34.7	35.6	26.3	42.6	43.5	37.3	37.0	26.2
	KW	7.43	7.44	7.40	7.43	7.69	7.57	7.61	7.60	7.69	7.92	8.00	7.96	7.75	7.93	8.11
125	T.C.	38.4	38.6	34.6	43.7	47.2	40.5	39.7	36.5	42.8	47.0	41.6	41.7	36.8	43.0	46.9
	S.C.	38.4	37.7	31.1	32.9	24.4	40.5	39.2	33.3	33.9	24.9	41.6	41.3	34.9	35.4	25.2
	KW	7.78	7.80	7.88	8.09	8.14	8.02	8.05	7.95	8.18	8.41	8.43	8.43	8.17	8.52	8.64

NOTE: ALL CAPACITIES INCLUDE INDOOR FAN HEAT AT 1250 BTUH/1000 CFM.

Multipliers for determining the performance with other indoor sections.

NOTE: For dry bulb temperatures different than those listed (between 73-87 F), sensible capacity increases by 1060 BTUH per 1000 CFM per degree above the listed temperature and decreases by 1060 BTUH per 1000 CFM per degree below the listed temperature.

COOLING PERFORMANCE DATA (R-22)																
AIR CONDITIONER MODEL NO.		GCGA76S26S3														
INDOOR COIL MODEL NO.		K5EU090A50														
CONDENSING ENTERING AIR TEMPERATURE	IDCFM	2600					2800					3000				
	ID DB (°F)	80	80	75	80	80	80	80	75	80	80	80	80	75	80	80
	ID WB (°F)	57	62	62	67	72	57	62	62	67	72	57	62	62	67	72
65	T.C.	74.9	76.2	77.0	83.1	88.6	76.6	76.7	77.7	85.1	89.1	77.4	77.0	80.5	85.7	90.2
	S.C.	74.9	69.4	59.2	58.2	45.1	76.6	71.7	60.9	60.4	46.0	77.4	74.0	63.6	62.0	47.5
	KW	5.51	5.49	5.52	5.64	5.65	5.64	5.64	5.68	5.75	5.76	5.78	5.76	5.77	5.87	5.87
75	T.C.	73.3	74.1	74.8	81.1	85.7	74.6	74.6	75.4	81.9	86.2	75.7	75.1	75.9	82.3	86.5
	S.C.	73.3	68.4	58.0	57.4	44.1	74.6	70.7	59.8	59.0	45.2	75.7	73.1	61.4	60.7	46.1
	KW	5.84	5.83	5.87	5.99	6.05	5.98	5.94	5.99	6.12	6.16	6.11	6.06	6.11	6.24	6.28
85	T.C.	70.8	71.0	71.8	77.9	82.2	71.9	71.3	72.3	78.5	82.8	73.2	71.9	72.7	78.9	83.2
	S.C.	70.8	66.9	56.6	56.0	42.7	71.9	69.3	58.3	57.6	43.9	73.2	71.6	60.0	59.2	44.5
	KW	6.35	6.32	6.36	6.50	6.55	6.48	6.43	6.48	6.62	6.68	6.62	6.56	6.60	6.74	6.79
95	T.C.	68.1	67.8	68.6	74.6	78.5	69.2	68.3	69.1	75.0	79.1	70.4	68.7	69.5	75.4	79.5
	S.C.	68.1	65.4	55.1	54.5	41.6	69.2	67.8	56.8	56.1	42.4	70.4	68.7	58.5	57.7	43.2
	KW	6.90	6.85	6.90	7.06	7.12	7.04	6.98	7.02	7.18	7.25	7.18	7.10	7.14	7.30	7.36
105	T.C.	65.4	64.5	65.1	70.8	74.8	66.4	64.8	65.5	71.2	75.1	67.3	65.1	65.9	71.5	75.4
	S.C.	65.4	63.8	53.5	52.9	40.1	66.4	64.8	55.2	54.4	41.3	67.3	65.1	56.8	56.0	41.4
	KW	7.49	7.43	7.46	7.65	7.73	7.64	7.54	7.59	7.77	7.84	7.78	7.67	7.72	7.89	7.96
115	T.C.	62.3	60.8	61.5	67.0	70.7	63.2	61.0	61.9	67.3	71.0	64.1	61.5	62.1	67.6	71.2
	S.C.	62.3	60.8	51.8	51.2	38.4	63.2	61.0	53.5	52.9	38.9	64.1	61.5	55.0	54.4	40.0
	KW	8.08	7.99	8.03	8.24	8.33	8.23	8.11	8.16	8.36	8.45	8.38	8.24	8.28	8.49	8.57
125	T.C.	58.9	56.8	57.6	62.9	66.3	59.9	57.2	57.6	63.0	66.6	60.5	59.9	58.0	63.2	66.8
	S.C.	58.9	56.8	50.2	49.5	36.7	59.9	57.2	51.7	51.0	38.0	60.5	59.9	53.1	52.7	38.0
	KW	8.70	8.56	8.61	8.85	8.97	8.86	8.69	8.74	8.98	9.08	9.01	8.94	8.86	9.11	9.20

COOLING PERFORMANCE DATA (R-407C)																
AIR CONDITIONER MODEL NO.		GCGA76S26S3														
INDOOR COIL MODEL NO.		K5EU090A50														
CONDENSING ENTERING AIR TEMPERATURE	IDCFM	2600					2800					3000				
	ID DB (°F)	80	80	75	80	80	80	80	75	80	80	80	80	75	80	80
	ID WB (°F)	57	62	62	67	72	57	62	62	67	72	57	62	62	67	72
65	T.C.	72.7	73.1	72.8	79.7	87.1	74.5	76.0	74.0	80.5	87.8	75.3	76.2	74.0	81.0	88.0
	S.C.	72.7	67.3	56.7	56.4	44.6	74.5	69.1	58.5	58.0	45.2	75.3	70.4	60.0	59.6	46.8
	KW	5.47	5.47	5.49	5.55	5.63	5.57	5.61	5.60	5.66	5.75	5.71	5.71	5.70	5.78	5.85
75	T.C.	70.2	71.6	69.9	76.5	82.7	71.6	71.0	70.1	77.6	83.5	72.7	73.8	70.6	78.3	83.6
	S.C.	70.2	66.0	55.6	54.9	42.8	71.6	65.8	57.1	56.5	44.3	72.7	68.8	58.6	58.4	45.0
	KW	5.96	5.98	5.97	6.06	6.13	6.08	6.09	6.09	6.15	6.21	6.20	6.22	6.21	6.26	6.35
85	T.C.	67.8	67.9	67.2	73.6	79.9	68.5	69.9	67.7	74.1	80.6	69.8	70.8	68.2	74.3	81.1
	S.C.	67.8	64.8	54.1	53.7	42.3	68.5	64.9	55.7	55.2	43.5	69.8	66.6	57.2	56.9	44.0
	KW	6.38	6.39	6.38	6.48	6.58	6.50	6.52	6.50	6.59	6.70	6.62	6.65	6.61	6.70	6.81
95	T.C.	64.8	65.9	64.2	70.1	76.4	65.6	66.6	64.7	70.8	77.0	66.8	67.3	65.1	71.1	77.4
	S.C.	64.8	61.3	52.6	52.3	41.0	65.6	62.8	54.1	53.8	41.6	66.8	64.2	55.7	55.4	42.3
	KW	6.90	6.93	6.90	7.00	7.12	7.02	7.04	7.01	7.12	7.24	7.15	7.16	7.13	7.23	7.35
105	T.C.	61.7	62.8	60.0	66.7	71.7	62.7	63.4	60.6	67.1	72.0	63.6	64.0	60.2	67.2	71.5
	S.C.	61.7	59.1	50.5	50.8	38.6	62.7	60.5	52.7	51.7	38.4	63.6	61.9	53.8	53.9	40.3
	KW	7.46	7.48	7.43	7.56	7.66	7.59	7.60	7.55	7.68	7.77	7.71	7.72	7.65	7.79	7.87
115	T.C.	58.3	58.8	55.8	61.0	66.7	59.2	59.7	56.0	61.5	67.0	60.1	60.4	55.9	61.6	67.3
	S.C.	58.3	56.3	49.3	48.7	37.1	59.2	57.7	51.1	50.0	37.7	60.1	59.2	52.1	51.3	38.6
	KW	8.07	8.09	8.01	8.14	8.27	8.20	8.21	8.13	8.19	8.38	8.32	8.33	8.23	8.36	8.50
125	T.C.	54.4	54.8	52.0	57.2	62.8	55.3	55.5	52.1	57.6	62.9	55.7	56.0	52.3	57.6	63.1
	S.C.	54.4	53.5	47.5	46.8	35.3	55.3	54.7	48.1	48.2	36.6	55.7	55.7	49.9	49.9	36.9
	KW	8.69	8.70	8.62	8.74	8.93	8.82	8.82	8.73	8.86	9.04	8.93	8.95	8.91	8.97	9.15

NOTE: ALL CAPACITIES INCLUDE INDOOR FAN HEAT AT 1250 BTUH/1000 CFM.

Multipliers for determining the performance with other indoor sections.

NOTE: For dry bulb temperatures different than those listed (between 73-87 F), sensible capacity increases by 1060 BTUH per 1000 CFM per degree above the listed temperature and decreases by 1060 BTUH per 1000 CFM per degree below the listed temperature.

Subject to change without notice. Published in U.S.A.
Copyright © 2010 by Johnson Controls, Inc. All rights reserved.

567174-XTG-A-0310
Supersedes: Nothing

Johnson Controls Unitary Products
5005 York Drive
Norman, OK 73069